

CLASS 4000 kWh METER

The Class 4000 single-phase electric meter is designed for multi-family applications and features a compact, attractive housing, very low installed cost and easily interfaces with E-Mon Energy™ software and/or alternative third-party billing service providers. The Class 4000 meter is especially useful in applications where the meter needs to be installed in the residence itself, as in apartments and condominiums, while providing limited interruption to tenants.

Features

- Easy-to-read 6-digit electro-mechanical display
- Revenue grade accuracy
- Certified to ANSI C12.1 and C12.16 national accuracy standards
- Certified to California measuring standards Bureau of Weights & Measures
- 0-2 volt output split-core current sensors allow for enhanced safety and accurate remote mounting of current sensors up to 2000 feet from meter without power interruption (Optional solid-core sensors available)
- Meter can be used on the following configurations:
 - 1-Phase, 2-Wire
 - 2-Phase, 3-Wire
- Non-metallic enclosure, optional flush mount kit available
- Optional multi-level tamper alarm
- UL Listed
- New York City approved, Con Edison approved for RSP program
- Measurement Canada approved for revenue metering



Dim: 7" H x 6" W x 2" D

Model Numbers

120V, 1-Phase, 2W
(Supplied with (1) split-core current sensor)
2120100W KIT (100 amp)
2120200W KIT (200 amp)

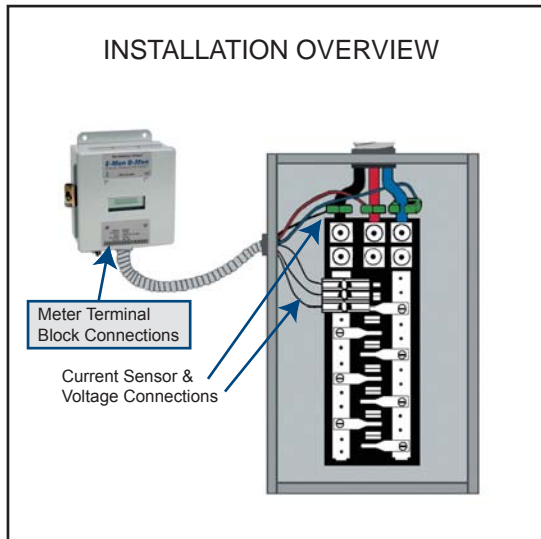
120/208-240V, 1- or 2-Phase, 3W
(Supplied with (2) split-core current sensors)
3208100W KIT (100 amp)
3208200W KIT (200 amp)

INSTALLATION OVERVIEW

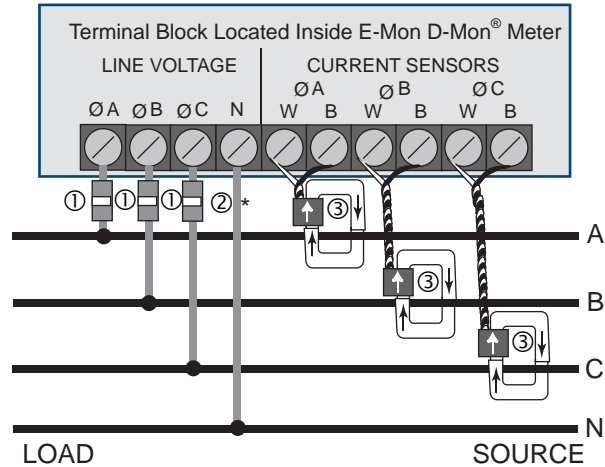
CLASS 1000, 2000 and 3000 Meters

E-Mon D-Mon

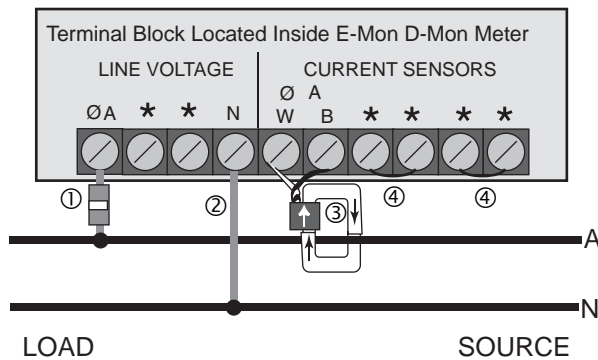
Energy Monitoring Products & Systems



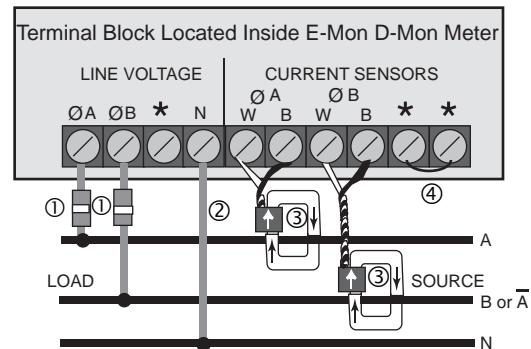
3-PHASE, 3-WIRE OR 3-PHASE, 4-WIRE INSTALLATION DIAGRAM



1-PHASE, 2-WIRE 120 or 277 VOLT INSTALLATION DIAGRAM (Class 1000 Series Only)



SINGLE-PHASE, 3-WIRE 120/240, 120/208 or 480 VOLT INSTALLATION DIAGRAM



* These terminals are not used in Class 1000 installations.

- ① Recommended fuses or circuit breaker per the National Electrical Code (Meter load 6VA.)
- *② Neutral not required in delta system.
- ③ Split-core current sensors. Install according to instructions.
- ④ Install jumper.