

Features

- Available in configurations containing up to 8, 16, or 24 meters.
- MMU cabinets may contain E-Mon D-Mon® Class 1000 or Class 2000 (kWh or kWh/demand) meters.
- Compact installation of multiple meters allows for easy and centralized reading.
- IDRs (Interval Data Recorders) can be factory-installed along with the meters in the cabinet, allowing for easy interface to the E-Mon Energy™ software system.
- Three-phase MMU cabinets come with prewired voltage feeds. If IDR(s) are installed inside MMU cabinets, the connections from the meters to the IDR will also be prewired at the factory.



Model Numbers

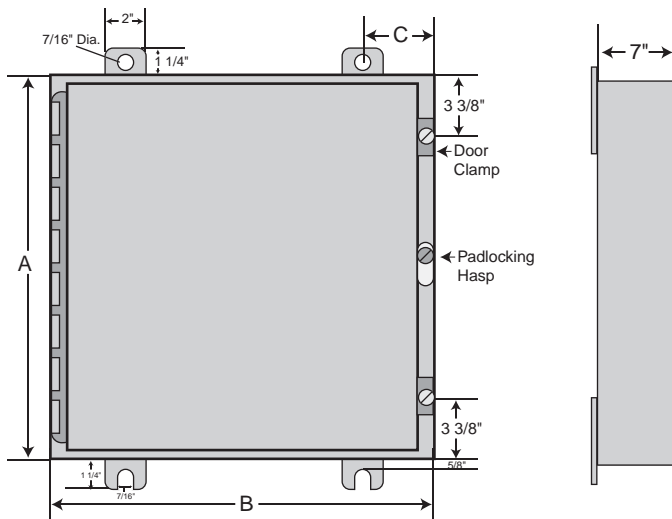
When ordering, specify configuration, meters to be contained inside cabinet, and blank spaces (if any).
Example:

- 1 MMU16
- 11 208200M KIT
- 5 Blank Spaces

Available Configurations:

- MMU8
- MMU16
- MMU24

MMU Dimensions



MMU	Dimensions (in inches)		
	A	B	C
MMU8	24	12	1 1/4
MMU16	24	20	3
MMU24	30	24	3

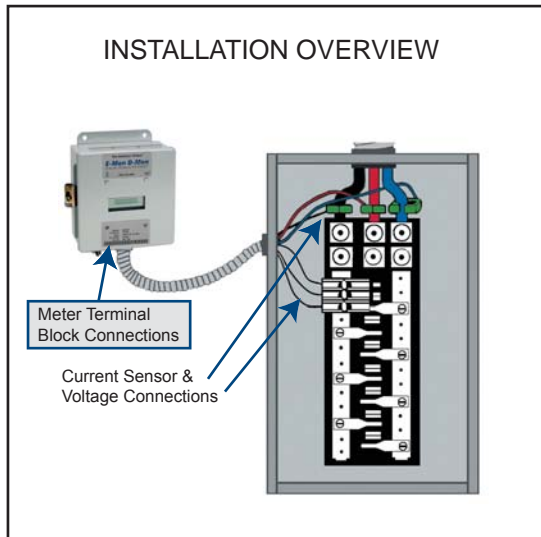
MMU	Meter Configuration		Total Meter Spaces
	Across	Down	
MMU8	2	4	8
MMU16	4	4	16
MMU24	5	5	24

INSTALLATION OVERVIEW

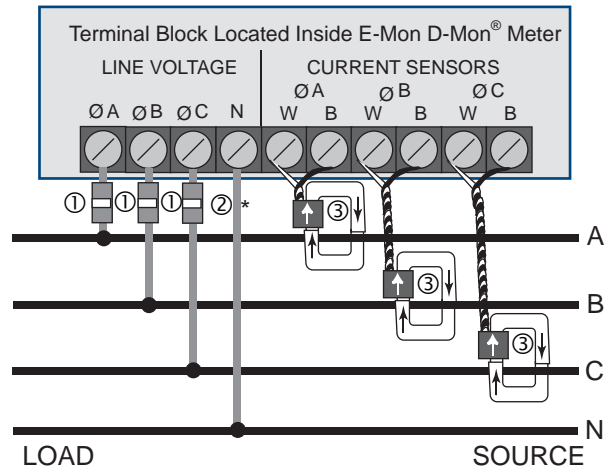
CLASS 1000, 2000 and 3000 Meters

E-Mon D-Mon

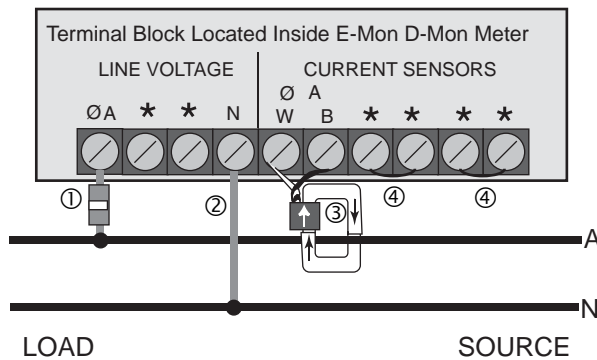
Energy Monitoring Products & Systems



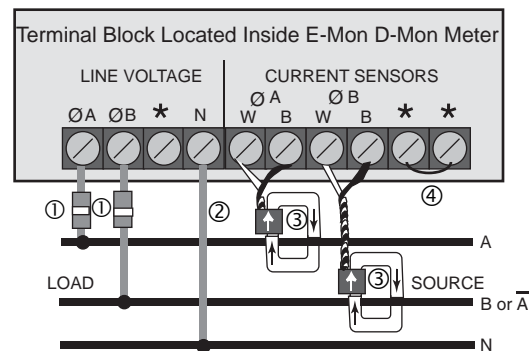
3-PHASE, 3-WIRE OR 3-PHASE, 4-WIRE INSTALLATION DIAGRAM



1-PHASE, 2-WIRE 120 or 277 VOLT INSTALLATION DIAGRAM (Class 1000 Series Only)



SINGLE-PHASE, 3-WIRE 120/240, 120/208 or 480 VOLT INSTALLATION DIAGRAM



* These terminals are not used in Class 1000 installations.

- ① Recommended fuses or circuit breaker per the National Electrical Code (Meter load 6VA.)
- *② Neutral not required in delta system.
- ③ Split-core current sensors. Install according to instructions.
- ④ Install jumper.