

Description

The wireless gateway is a reliable, fully bidirectional gateway between the Internet/backbone network and the E-Mon wireless mesh network. It is compatible with standard communication protocols and can support multiple meter types on the same network. The wireless gateway provides simple remote configuration of the wireless devices and accurately transmits the energy data from the wireless network to E-Mon meter reading software for billing and analysis.



Features

- Compiles data from wireless transceivers and transmits data to E-Mon's meter reading software for billing and analysis.
- Interfaces with E-Mon D-Mon Class 4100 meters with built-in wireless transceivers as well as stand-alone transceivers connected to other metering devices such as gas, water and utility electric meters.
- Wireless mesh network operates in the 915 MHz license-free band. No cellular wireless service contracts are required.
- Fully self-configuring wireless mesh network allows for easy installation and configuration with no network management required.
- FCC certified not to interfere with existing infrastructure.
- 128 bit encryption on wireless network.
- Expandable local storage.
- Communication logs and automatic data recovery features.
- User and administration access control.

Model Numbers

Wireless Gateway	WGATEWAY
------------------	----------

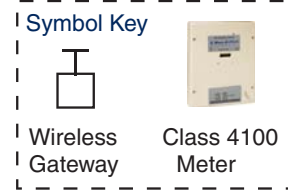
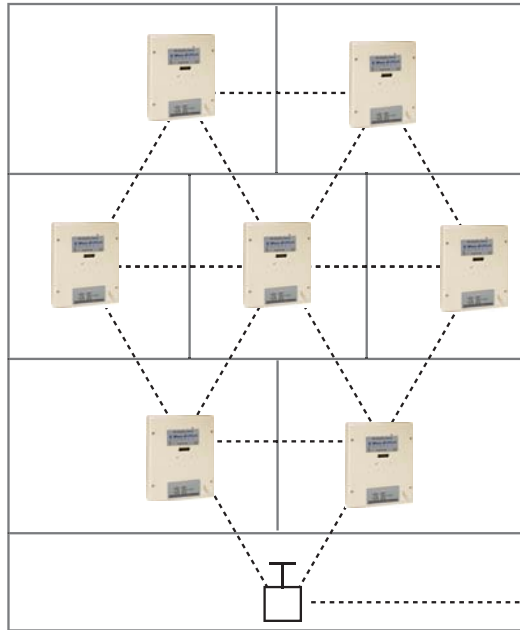
Additional Components

Wireless Meter Reading Software	WRSOFT
---------------------------------	--------

E-Mon D-Mon Class 4100 Meters with built-in wireless transmitters.

Wireless Mesh Network Configuration Diagram

High Rise Apartment Building



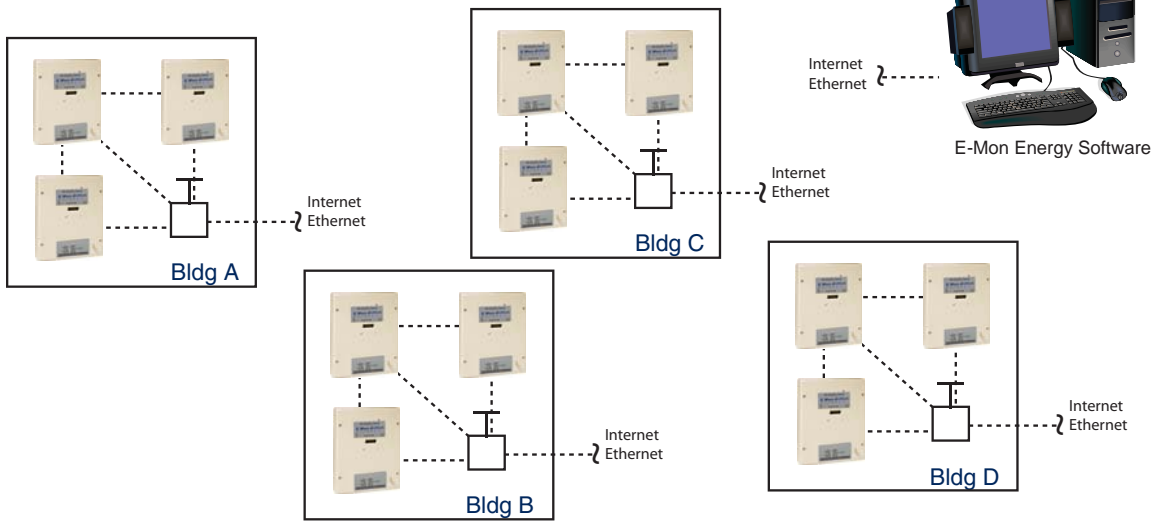
One meter installed inside each tenant space.

One wireless gateway transmitting data to E-Mon Energy™ software via Internet or Ethernet communication.



E-Mon Energy Software

Garden Style Apartments



One meter installed inside each tenant space.

One wireless gateway installed inside each building transmitting data to E-Mon Energy™ software via Internet or Ethernet communication.